



# Exit Button

## Exit Button 3 x 1

Model EBP-S01A

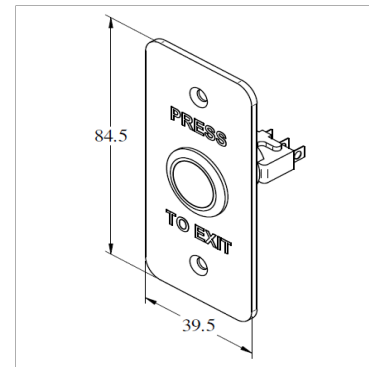


### Description

Exit Button is designed to provide a reliable means of ingress/egress for access controlled openings in commercial and industrial facilities. The heavy duty stainless steel faceplate is designed to mount, depending on the model, into a single gang or narrow jamb electrical box.

### Standard Features

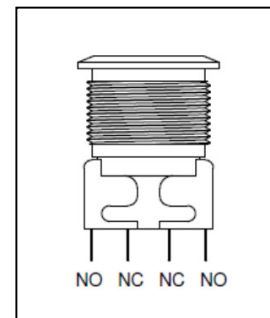
- No Power Required To Operate
- Vandal Resistant
- Stainless Steel Faceplate
- N.O. & N.C. Output



### Specification

	EBP-S01A
<b>Material</b>	Stainless Steel
<b>Momentary</b>	Double Pole Double Throw
<b>Max. Rating</b>	5A, 125/250VAC
<b>Operating Life</b>	Over 100000 Times
<b>Operating Travel</b>	2.7 mm
<b>Dimension</b>	84.5 x 39.5 mm
<b>Weight</b>	0.1kg

### Wiring Diagram



**DISCLAIMER:-** Specifications are subject to change without prior notice.

- Attached photo is for reference purpose only, actual product may varies.

