



# Door Loops

## Door Loops 310

Model DL-310



### Description

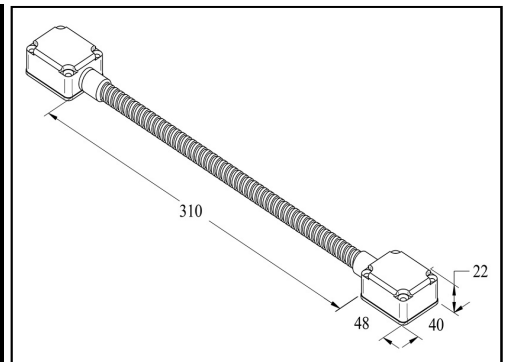
The Door Loops are wire extension protector when you install on door frame to the door.

### Standard Features

- 310mm long armoured with 10.5mm I.D. flexible steel conduit.
- Attractive Aluminium Alloy housings at each end.
- Aluminium Alloy housing predrilled for wires and concealed mounting screws.
- Specify for transferring electrical current between door and frame.

### Specification

	DL-310
<b>Mounting</b>	Surface
<b>Material (Terminal Box)</b>	Aluminium Alloy
<b>Material (Flexible Hose)</b>	Stainless Steel
<b>Maximal door opening angle</b>	180°
<b>Internal diameter</b>	10.5mm
<b>Spiral Length</b>	310mm
<b>Terminal boxes Size</b>	48 X 40 X 22 mm
<b>Gross Weight</b>	0.13kg



**DISCLAIMER:-** Specifications are subject to change without prior notice.

- Attached photo is for reference purpose only, actual product may varies.

