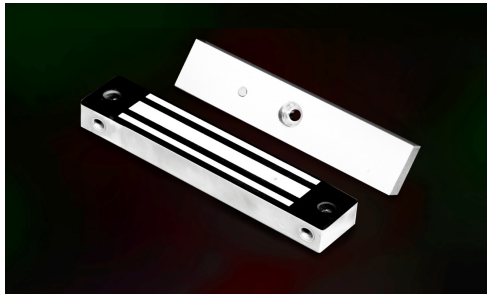




EXT Series

600lbs Water Proof Electromagnetic Lock

Model EXT275-SL (Monitored Version)



Description

600lbs Water Proof EM locks were designed as such to be unaffected / resisting the ingress of water under specified condition with its fully sealed electronics incased with stainless steel. Suitable for outdoor application and harsh climate.

Standard Features



Fail Safe

Life Safety Applications



Zero Residual Magnetism

No Residual



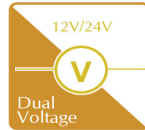
Low Power

Low Energy Consumption



Low Maintenance

Cost Savings



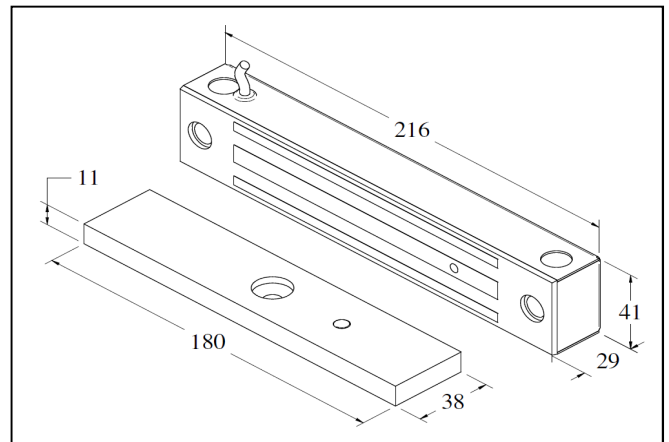
12V/24V Dual Voltage

12/24V Selectable



Waterproof

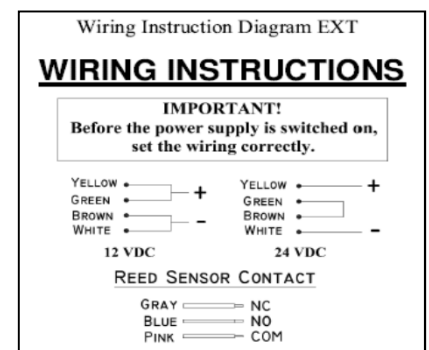
Fully Sealed Electronics



Features & Technical Specification

Models	EXT275-SL
Features & Spec.	
Lock Status Monitoring	Reed Switch
Holding Force	Up to 600lbs
Magnet Size	216 X 41 x 29 mm
Armature Size	180 X 38 X 11 mm
Current Drain	480mA±10%/12Vdc / 240mA±10%/24Vdc
Temperature	(-10 to 55) °C (14 to 131) °F
Housing	Stainless Steel Housing
Weight	2.31 Kg

Wiring Diagram



WARRANTY:- Algatec EM Lock are warranted against defects in material and workmanship while used in normal service for a period of 5 years from the date of sale to the original customer.

DISCLAIMER:- Specifications are subject to change without prior notice.

- Attached photo is for reference purpose only, actual product may varies.

