

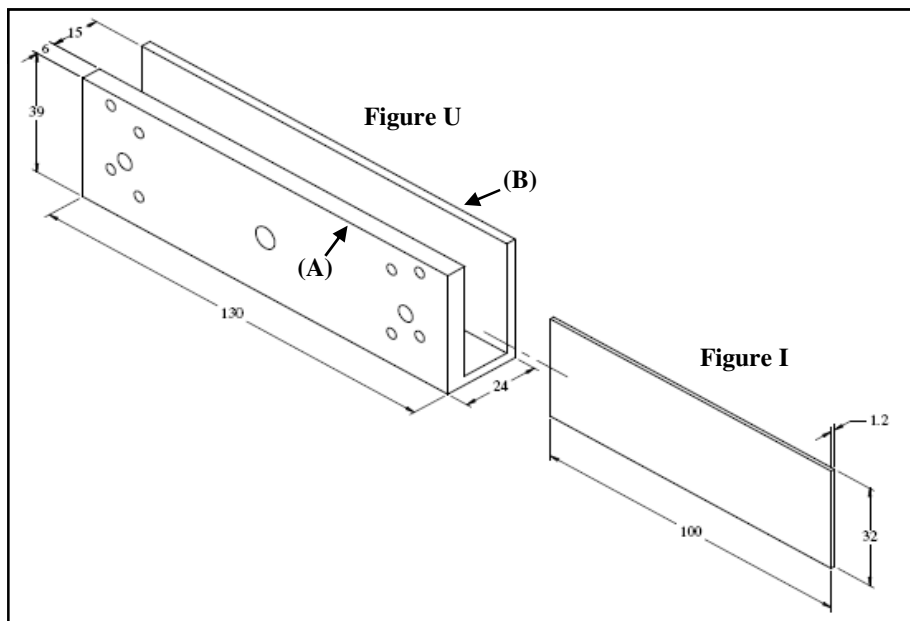
**300 LBS EM LOCK**

**LS-135 BRACKET**

Dimension : 170mm (L)X 38mm (W) X 25mm (H)

Thickness : 3mm

Weight : 0.1 kg



**300 LBS EM LOCK**

**UI-135 BRACKET**

**Figure U**

Dimension : 130mm (L) X 24mm (W) X 39mm(H)

Thickness : 6mm (A) & 3mm (B)

Weight : 0.2 kg

**Figure I**

Dimension : 100mm (L) X 32mm (W)

Thickness : 1.2mm

Weight : 0.01 kg