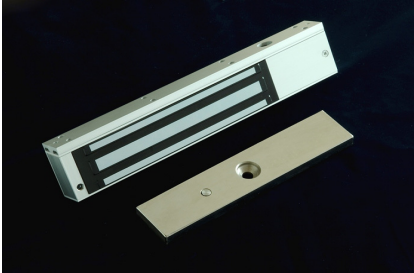




275T Series

600lbs Timer Electromagnetic Lock

Model **UL275T-S (Unmonitored Version)**
UL275T-SL (Monitored Version)



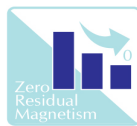
Description

600lbs Timer EM Locks were fitted with a Time Delay Function (TDF) to cater for specific needs in the industry. The blueprint is also to meet fire/life safety applications by providing an auxiliary locking mechanism. Suitable for access controlled & secure areas within buildings.

Standard Features



Life Safety Applications



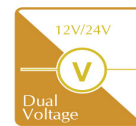
No Residual



Low Energy Consumption



Cost Savings



12/24V Selectable

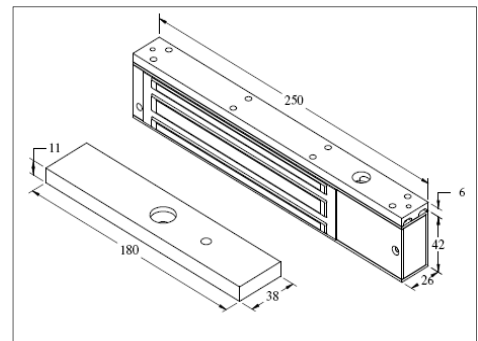


Ideal for all door type

Extended Features

(Optional)

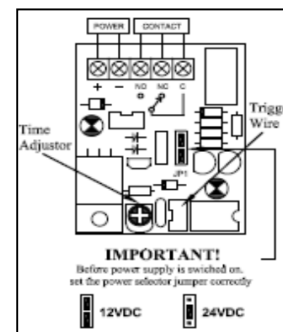
- Lock Status Monitoring
- Anodized Aluminium Housing
- CE Compliance



Specification

	UL275T-S / UL275T-SL
Magnet Size	250 X 42 X 26 mm
Armature Size	180 X 38 X 11 mm
Holding Force	Up to 600lbs
Current Drain	480mA±10%/12Vdc / 240mA±10%/24Vdc
Temperature	(-10 to 55)°C (14 to 131)°F
Weight	2.0kg

Wiring Diagram



WARRANTY:- Algatec EM Lock are warranted against defects in material and workmanship while used in normal service for a period of 5 years from the date of sale to the original customer.

DISCLAIMER:- Specifications are subject to change without prior notice.

- Attached photo is for reference purpose only, actual product may varies.

