



275L Series

ECO SERIES

600lbs Electromagnetic Lock (Super Low Power Type)

Model **UL275L-S (Unmonitored Version)**
UL275L-SL (Monitored Version)



Description

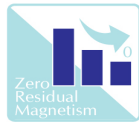
L-Series 600lbs EM Lock are eco friendly designed with power consumption less than 300mA. The blueprint is also to meet fire/life safety applications by providing an auxiliary locking mechanism.

Suitable for interior & perimeter doors which requires medium security.

Standard Features



Life Safety Applications



No Residual



Low Energy Consumption



Cost Saving



12Vdc

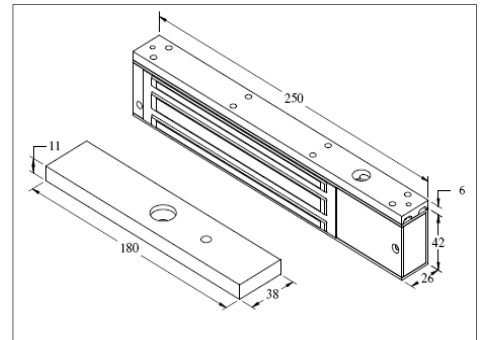


Ideal for all door type

Extended Features

(Optional)

- Lock Status Monitoring
- Anodized Aluminium Housing
- CE Compliance



Specification

	UL275L-S / UL275L-SL
Magnet Size	250 X 42 X 26 mm
Armature Size	180 X 38 X 11 mm
Holding Force	Up to 600lbs
Current Drain	less than 300mA /12Vdc
Temperature	(-10 to 55)°C (14 to 131)°F
Weight	2.0kg

WARRANTY:- Algatec EM Lock are warranted against defects in material and workmanship while used in normal service for a period of 5 years from the date of sale to the original customer.

DISCLAIMER:- Specifications are subject to change without prior notice.

- Attached photo is for reference purpose only, actual product may varies.

