



545 Series

1200lbs Double Electromagnetic Lock

Model **UL545-D (Unmonitored Version)**
UL545-DL (Monitored Version)



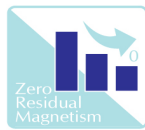
Description

1200lbs Double EM locks were designed to meet fire/life safety applications by providing an auxiliary locking mechanism that has no moving parts to bind or wear out for trouble free operation. This will ensure inhibited released at all times where they have become extremely prevalent in applications other than fire/life safety. Suitable for access controlled & secure areas within buildings with double leaf doors.

Standard Features



Fail Safe
Life Safety Applications



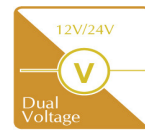
Zero Residual Magnetism
No Residual



Low Power
Low Energy Consumption



Low Maintenance
Cost Savings



12V/24V Selectable
Dual Voltage

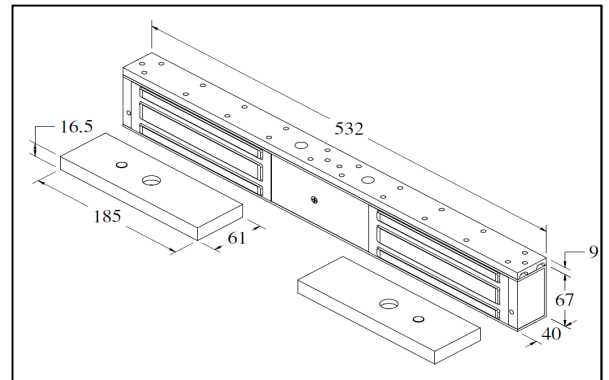


Versatile Mounting
Ideal for all door type

Extended Features

(Optional)

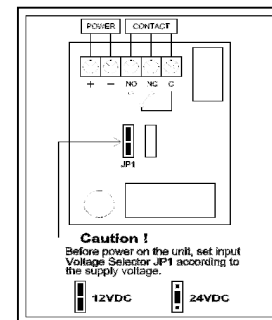
- Lock Status Monitoring
- Electroless Nickel (EN) Plated Armature Plate
- Anodized Aluminium Housing
- CE Compliance



Specification

	UL545-D / UL545-DL
Magnet Size	532 X 67 X 40 mm
Armature Size	185 X 61 X 16.5 mm
Holding Force	Up to 1200lbs x 2
Current Drain	420mA±10%/12Vdc / 210mA±10%/24Vdc
Temperature	(-10 to 55)°C (14 to 131)°F
Weight	9.3kg

Wiring Diagram



WARRANTY:- Algatec EM Lock are warranted against defects in material and workmanship while used in normal service for a period of 5 years from the date of sale to the original customer.

DISCLAIMER:- Specifications are subject to change without prior notice.

- Attached photo is for reference purpose only, actual product may varies.

