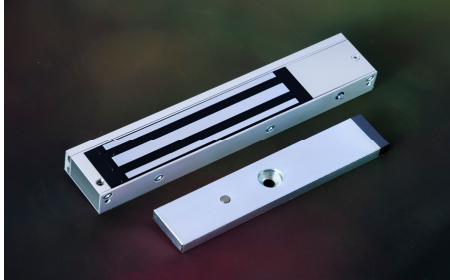




MonAct™ Series

600lbs Electromagnetic Lock with Magnetic Contact

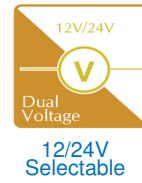
Model **UL275BWM-S (Unmonitored Version)**
UL275BWM-SL (Monitored Version)



Description

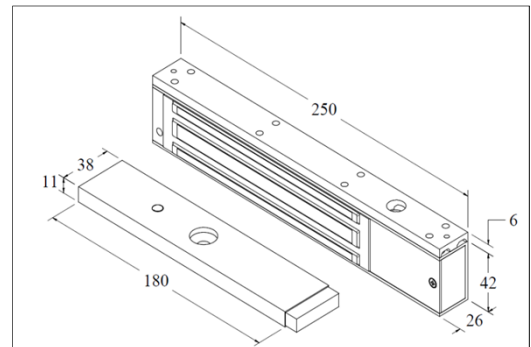
MonAct™ series renders advance security monitoring by integrating door status monitoring function (DSMF) (providing door opened/closed signal) in addition to the standard lock status monitoring function (LSMF). MonAct™ series Monitored EM locks are inbuilt with magnetic contact were designed to meet fire and life safety applications by providing an auxiliary locking mechanism that has no moving parts to bind or wear out for trouble free operation. This will ensure inhibited release at all times where they have become extremely prevalent in applications other than fire/life safety. Suitable for higher security areas within buildings.

Standard Features



Extended Features

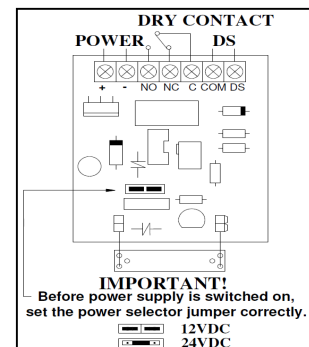
- Lock Status Monitoring Function (LSMF) - *Optional*
- Anodized Aluminium Housing
- CE Compliance



Specification

	UL275BWM-S / UL275BWM-SL
Magnet Size	250 X 42 X 26 mm
Armature Size	180 X 38 X 11 mm
Holding Force	Up to 600lbs
Current Drain	480mA±10%/12Vdc / 240mA±10%/24Vdc
Temperature	(-10 to 55)°C (14 to 131)°F
Weight	2.0Kg

Wiring Diagram



WARRANTY:- Algatec EM Lock are warranted against defects in material and workmanship while used in normal service for a period of 5 years from the date of sale to the original customer.

DISCLAIMER:- Specifications are subject to change without prior notice.
- Attached photo is for reference purpose only, actual product may varies.

