



# 275 Series

## 600lbs Electromagnetic Lock with Timer & Buzzer

Model **UL275TB-SL (Monitored Version)**



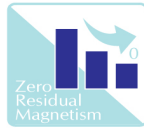
### Description

600lbs EM Locks with Time Delay Function (TDF) & Buzzer is designed to cater for the increasing needs in the industry. The aim is also to meet fire / life safety applications by providing an auxiliary locking mechanism. Suitable for access controlled & secure areas within buildings which require 2-tier access control feature in a single device.

### Standard Features



Life Safety Applications



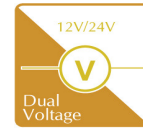
No Residual



Low Energy Consumption



Cost Savings



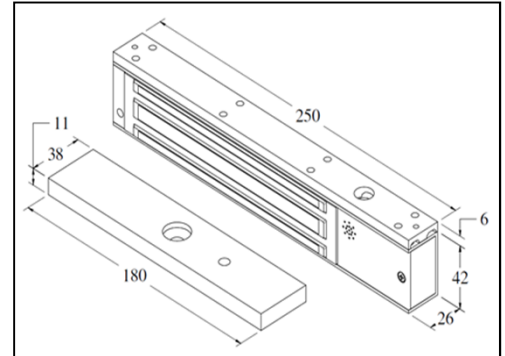
12/24V Selectable



Ideal for all door type

### Extended Features

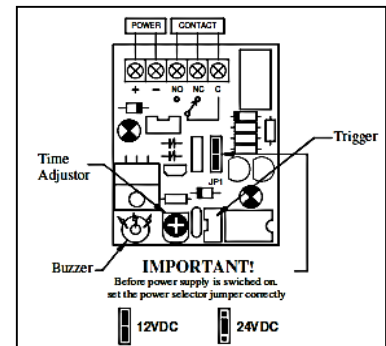
- Lock Status Monitoring
- **Time Adjustor** - Setting of door re-lock time  
*Clockwise: - Max. delay 20 seconds.*  
*Counter clockwise: - Min. delay 0 second.*  
*\* Factory Setting at 0 sec.*
- **Buzzer** - Sounds when magnet does not detect Armature Plate after a specific time set.
- Anodized Aluminium Housing
- CE Compliance



### Specification

	<b>UL275TB-SL</b>
<b>Magnet Size</b>	250 X 42 X 26 mm
<b>Armature Size</b>	180 X 38 X 11 mm
<b>Holding Force</b>	Up to 600lbs
<b>Current Drain</b>	500mA±10%/12Vdc / 280mA±10%/24Vdc
<b>Temperature</b>	(-10 to 55)°C (14 to 131)°F
<b>Weight</b>	2.0kg

### Wiring Diagram



**WARRANTY:-** Algatec EM Lock are warranted against defects in material and workmanship while used in normal service for a period of 5 years from the date of sale to the original customer.

**DISCLAIMER:-** Specifications are subject to change without prior notice.  
- Attached photo is for reference purpose only, actual product may varies.

