

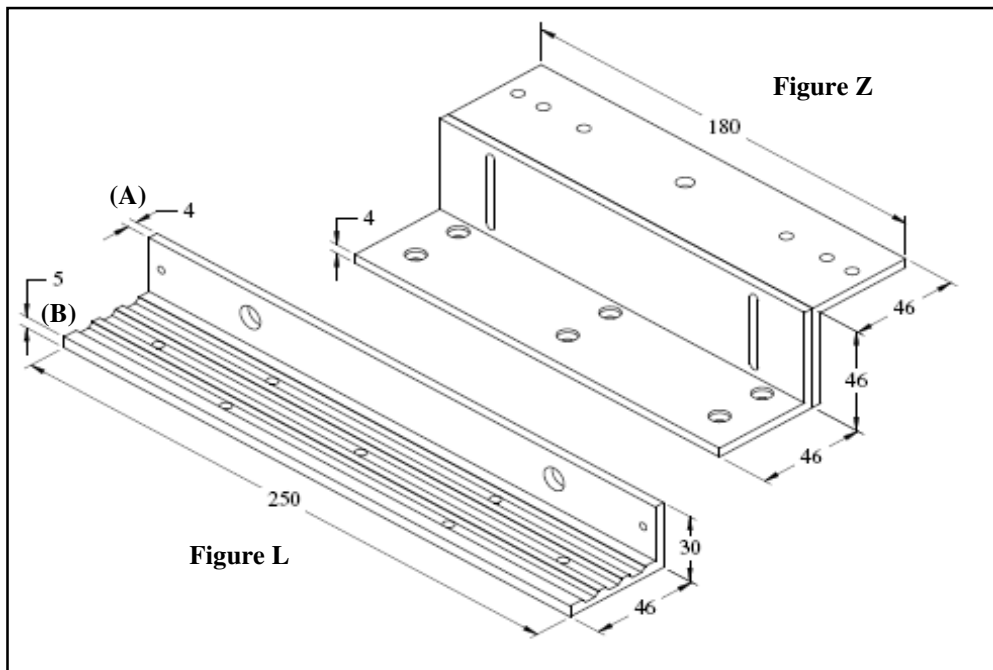
600 LBS EM LOCK  
UI-275 BRACKET

Figure U

Dimension : 180mm (L) X 24mm (W) X 39mm(H)  
Thickness : 6mm (A) & 3mm (B)  
Weight : 0.200kg

Figure I

Dimension : 125mm (L) X 31.8mm (W)  
Thickness : 1.2mm  
Weight : 0.014kg



600 LBS EM LOCK  
ZL-275 BRACKET

Figure Z

Dimension : 180mm (L) X 92mm (W)  
Thickness : 4mm  
Weight : 0.530kg

Figure L

Dimension : 250mm (L) X 46mm (W) X 30mm (H)  
Thickness : 4mm (A) & 5mm (B)  
Weight : 0.190kg